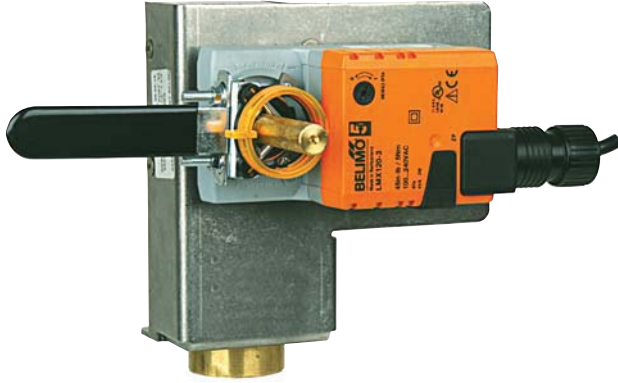


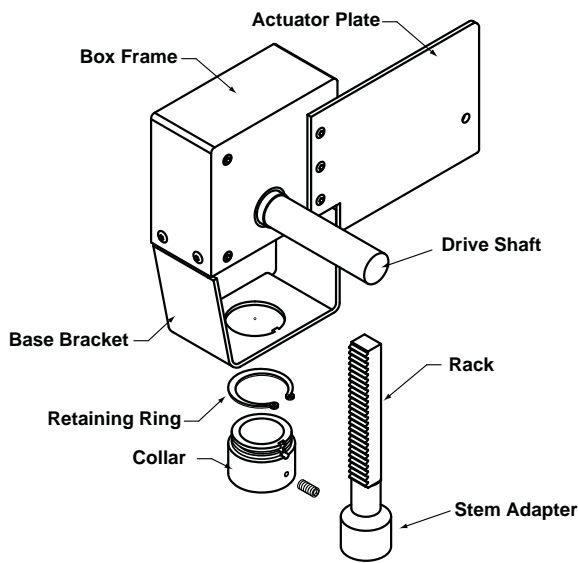
# UGLK.../UGSP... Retrofit Linkage for Globe Valves

For LM and LF Series Actuators



Technical Data	UGLK... / UGSP...
Materials:	
Frame, plate, base	stainless steel
Collar	brass
Drive shaft	½" brass
Gears, rack	sintered steel
Bearing	bronze
Stem adaptor	brass
Stroke max (gear teeth)	½" (12 teeth)
Mounting position	360° mountable
Ambient temperature	-22°F to +122°F [-30°C to +50°C]
Storage temperature	-40°F to +176°F [-40°C to +80°C]
Servicing	chilled or hot water max steam inlet 50 psi
Weight	2.8 lbs [1.3 kg]

## UGLK / UGSP Parts Breakdown



## Application

The UGLK/UGSP retrofit kit is designed to easily attach to the valve bonnet on select competitor valves utilizing Belimo LM and LF series actuators. The kit is used to restore service to the valve without removal of the valve, saving down time.

The unique collar design allows the UGLK to be mounted on various two-way or three-way valves. The rack and pinion construction allow the linkage to be used with normally open and normally closed valves.

## Default/Configuration

The actuator is sold separately from the linkage. This allows users to select the actuator with the desired control signal. The linkage utilizes standard air-side actuators that can be purchased at any time and mounted in the field. With the free spring design of the linkage, clearance is not an issue. The linkage can be oriented at any angle on the bonnet.

## Operation

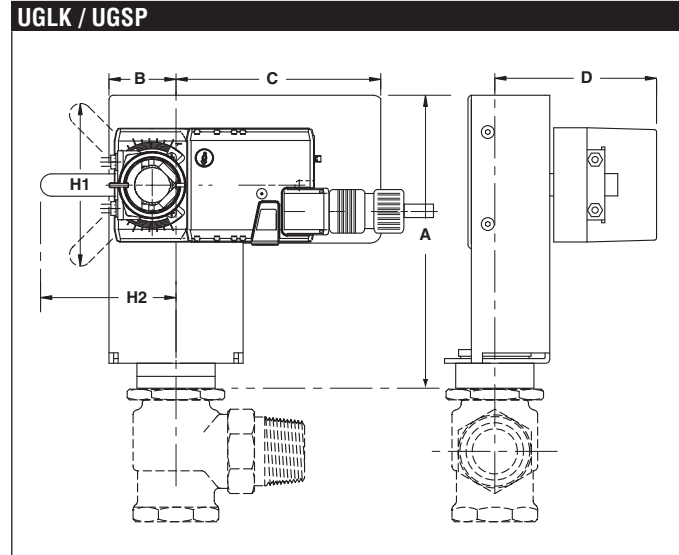
The UGLK/UGSP linkage provides approximately ½" of downward stroke with 95° rotation on the actuator. The linkage travel is based on the size of gear inside. The gear size is stamped on the frame. This allows the valve to extend fully open or closed based on signal. When directional needs vary, the actuator can be flipped or the directional switch turned to a new rotation. The compact design allows for installation in tight spaces.

Suitable Actuators	Close-Off Ranges
LM Series	2-250 psi
LF Series	22-250 psi

## Competitor Valves\*\*

Honeywell  
JCI  
Siemens / Powers  
Siebe / Invensys / TAC / Schneider

\*\*Consult pages 93-119 of the Retrofit Technical Documentation and/or SelectPro for close-off pressures and a cross reference of each valve.



Dimensions (Inches [mm])			
A	6.5" [165]	D	4.0" [102]
B	1.5" [33]	H1	4.0" [102]
C	5.0" [127]	H2	3.5" [89]

Tech.Doc - 07/14 - Subject to change. © Belimo Aircontrols (USA), Inc.



### Application

The UGLK/UGSP retrofit kit is designed to easily attach to the valve bonnet on select competitor valves utilizing Belimo GK, AF, NF, GM, AM and NM series actuators. The kit is used to restore service to the valve without removal of the valve, saving down time.

The unique collar design allows the UGLK to be mounted on various two-way or three-way valves. The rack and pinion construction allow the linkage to be used with normally open and normally closed valves.

### Default/Configuration

The actuator is sold separately from the linkage. This allows users to select the actuator with the desired control signal. The linkage utilizes standard air-side actuators that can be purchased at any time and mounted in the field. Due to the free spring design of the linkage, clearance is not an issue. The linkage can be oriented at any angle on the bonnet.

### Operation

The UGLK/UGSP linkage provides approximately 1/2" to 1-1/2" of downward stroke with 95° rotation on the actuator. The linkage travel is based on the size of gear inside. The gear size is stamped on the frame. This allows the valve to extend fully open or closed based on signal. When directional needs vary, the actuator can be flipped or directional switch turned to a new rotation.

Technical Data	UGLK... / UGSP...
Materials:	
Frame, plate, base	stainless steel
Collar	brass
Drive shaft	3/4" brass
Gears, rack	sintered steel
Bearing	bronze
Stem adaptor	brass
Stroke max (gear teeth)	1/2" (12 teeth) 3/4" (17 teeth) 1-1/8" (25 teeth) 1-1/2" (33 teeth)
Mounting position	360° mountable
Ambient temperature	-22°F to +122°F [-30°C to +50°C]
Storage temperature	-40°F to +176°F [-40°C to +80°C]
Servicing	chilled or hot water, and steam
Weight	5.7 lbs [2.6 kg]

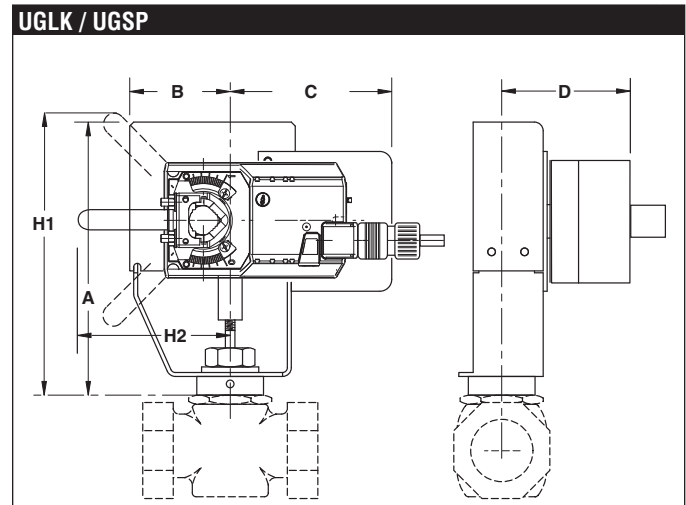
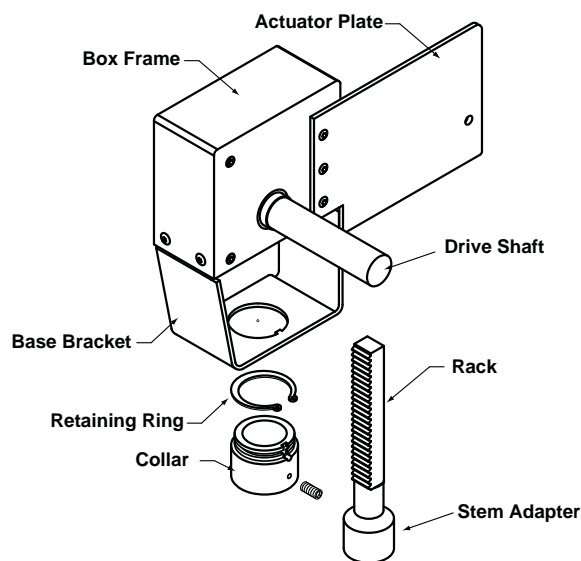
Suitable Actuators	Close-Off Ranges
GK Series	10-250 psi
AF Series	4-250 psi
NF Series	10-250 psi
GM Series	10-250 psi
AM Series	4-250 psi
NM Series	10-250 psi

### Competitor Valves\*\*

Honeywell  
JCI  
Siemens / Powers  
Siebe / Invensys / TAC / Schneider  
Warren Controls

\*\*Consult pages 93-119 of the Retrofit Technical Documentation and/or SelectPro for close-off pressures and a cross reference of each valve.

### UGLK / UGSP Parts Breakdown



Dimensions (Inches [mm])			
A	9"-11" [178-356]	D	4.0" [102]
B	1.5" [33]	H1	4.0" [102]
C	5.0" [127]	H2	3.5" [89]

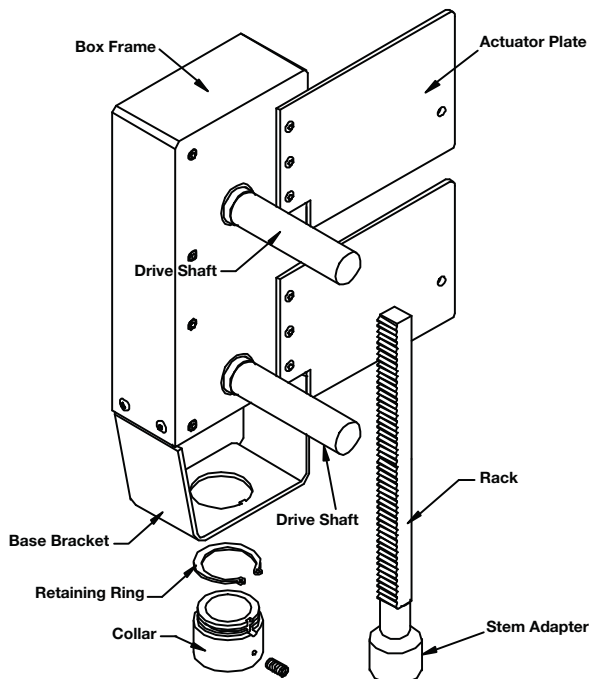
# UGLK.../UGSP... Retrofit Linkage for Globe Valves

For Dual Mounted AF, GM, and GK Series Actuators



Technical Data		UGLK... / UGSP...
Materials:		
Frame, plate, base		stainless steel
Collar		brass
Drive shaft		3/4" brass
Gears, rack		sintered steel
Bearing		bronze
Stem adaptor		brass
Stroke max (gear teeth)		1/2" (12 teeth) 3/4" (17 teeth) 1-1/8" (25 teeth) 1-1/2" (33 teeth)
Mounting position		360° mountable
Ambient temperature		-22°F to +122°F [-30°C to +50°C]
Storage temperature		-40°F to +176°F [-40°C to +80°C]
Servicing		chilled or hot water, and steam max steam inlet 50 psi
Weight		10 lbs [4.5 kg]

## UGLK / UGSP Parts Breakdown



## Application

The UGLK/UGSP retrofit kit is designed to easily attach to the valve bonnet on select competitor valves utilizing tandem Belimo AF, GM, and GK series actuators when higher close-off is required. The kit is used to restore service to the valve without removal of the valve, saving down time.

The unique collar design allows the UGLK to be mounted on various two-way or three-way valves. The rack and pinion construction allow the linkage to be used with normally open and normally closed valves.

## Default/Configuration

The actuator is sold separately from the linkage. This allows users to select any actuator with the desired control signal. The linkage utilizes standard air-side actuators that can be purchased at any time and mounted in the field. With the free spring design of the linkage, clearance is not an issue. The linkage can be oriented at any angle on the bonnet.

## Operation

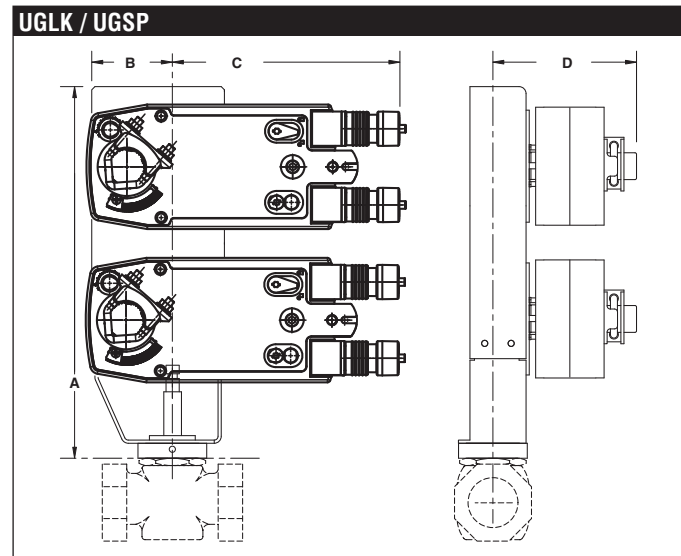
The UGLK/UGSP linkage provides approximately 1/2" to 1-1/2" of downward stroke with 95° rotation on the actuator. The linkage travel is based on the size of gear inside. The gear size is stamped on the frame. This allows the valve to extend fully open or closed based on signal. When directional needs vary, the actuators can be flipped or directional switch turned to a new rotation. Refer to Master Slave wiring for dual mounted actuators.

Suitable Actuators	Close-Off Ranges
2*AF Series	10-250 psi
2*GM Series	25-250 psi
2*GK Series	25-250 psi

## Competitor Valves\*\*

Honeywell  
JCI  
Siemens / Powers  
Siebe / Invensys / TAC / Schneider  
Warren Controls

\*\*Consult pages 92-134 of the Retrofit Technical Documentation and/or SelectPro for close-off pressures and a cross reference of each valve.



Dimensions (Inches [mm])			
A	13"-17" [483]	C	9" [229]
B	3" [76]	D	5" [127]

Tech.Doc - 07/14 - Subject to change. © Belimo Aircontrols (USA), Inc.



Technical Data	
Service	chilled or hot water and steam
Applicable valve size	½" [13], ¾" [19], 1" [25], 1-¼" [32], 1-½" [38], 2" [50]
Stem	slotted, threaded
Frame, plate, base	aluminum, steel
Collar	aluminum, steel, (fits bonnets up to 1.7" dia.)
Stem adaptor	aluminum
Stroke	0.75" [20mm]
Mounting position	360°
Media temp range (water)	20°F to 250°F [-7°C to +120°C]
Media temp range (steam)	32°F to 388°F [0°C to 170°C]
Weight	1.9 lbs

### Application

The UGVL retrofit kit is designed to easily attach LV and SV series actuators to select globe valves. Its unique adjustable design allows the UGVL to be mounted on ½" to 2" two-way or three-way valves in both normally open and normally closed configurations.

### Default/Configuration

The default set up for a UGVL linkage will be factory installed along with a LV or SV series actuator. Included in the kit will be all the necessary hardware to facilitate mounting to the valve.

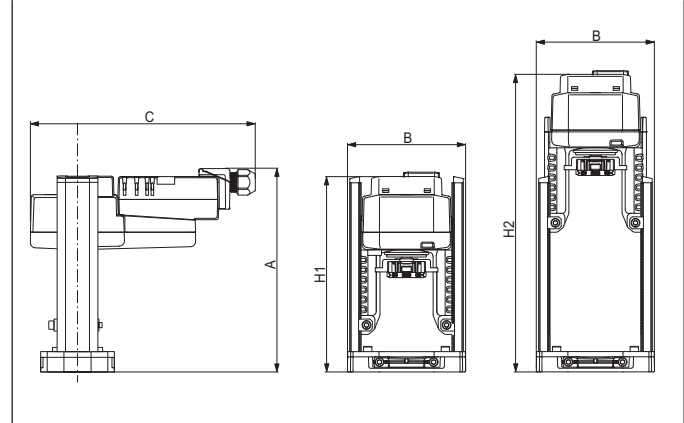
### Operation

The UGVL linkage with actuator will provide 20 mm of linear travel to accommodate a wide range of valves.

### Suitable Actuators

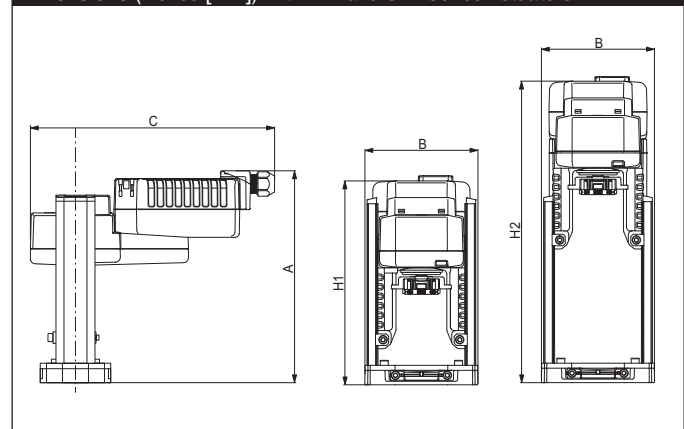
Linkage	Non-Spring Return	Electronic Fail-Safe
UGVL	LV, SV	LVK, SVK

### Dimensions (Inches [mm]) with LV and SV Series Actuators



A	B	C	H1	H2
8" [203.2]	4.4" [113]	8.60" [218]	7.5" [190]	11.4" [290]

### Dimensions (Inches [mm]) with LVK and SVK Series Actuators



A	B	C	H1	H2
8.5" [217]	4.4" [113]	9.6" [244]	8.4" [207]	12.1" [307]

### Application Notes

\*\*Consult pages 93-119 of the Retrofit Technical Documentation and/or SelectPro for close-off pressures and a cross reference of each valve.



Technical Data	
Service	chilled or hot water and steam
Applicable valve size	2½" [64], 3" [80], 4" [101], 5" [127], 6" [152]
Stem	316 stainless steel
Frame, plate, base	aluminum, steel (fits competitor bonnets up to 2.3" dia.)
Collar	aluminum
Coupling	GF nylon, supplied
Housing material	aluminum die cast and plastic casing
Stem adaptor	steel/aluminum
Stroke	1.25" [32 mm] AVK, 2" [50 mm] EV/RV
Mounting position	360°
Media temp range (water)	20°F to 250°F [-7°C to +120°C]
Media temp range (steam)	32°F to 388°F [0°C to 170°C]
Weight	5 lbs

### Application

The FGVL retrofit kit is designed to easily attach AVK, EV, and RV series actuators to select flanged globe valves requiring larger stem travels and higher forces. Its casted base and lower locking clamp allow the FGVL to be mounted on 2½" to 6" two-way or three-way valves in both normally open and normally closed configurations.

### Default/Configuration

The default set up for a FGVL linkage will be factory installed along with an AVK, EV, or RV series actuator. Included in the kit will be all the necessary hardware to facilitate mounting to the valve.

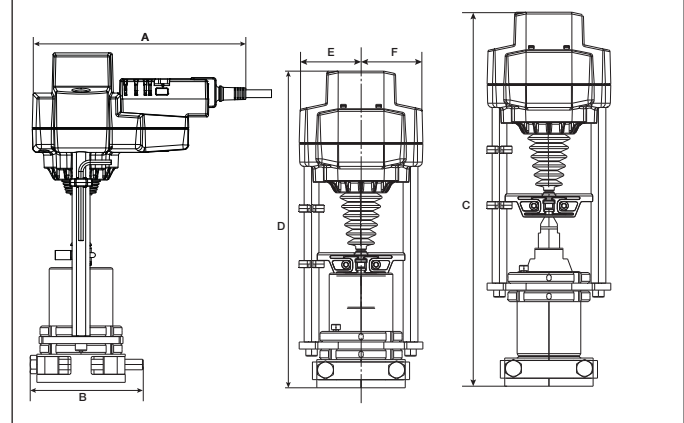
### Operation

The FGVL linkage with actuator will provide up to 2" [50 mm] of linear travel to accommodate a wide range of valves.

### Suitable Actuators

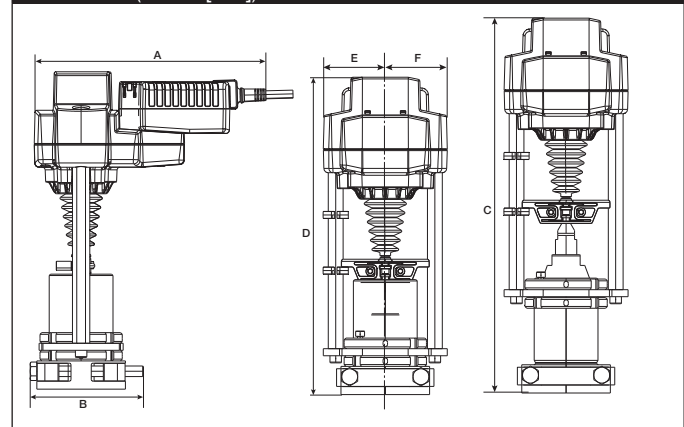
Linkage	Non-Spring Return	Electronic Fail-Safe
FGVL	EVB(X), RVB(X)	AVKB(X)

### Dimensions (Inches [mm]) with EV and RV Series Actuators



A	B	C	D	E	F
9.2" [234]	5.00" [127]	16.33" [425]	14.00" [356]	2.78" [71]	

### Dimensions (Inches [mm]) with AVK Series Actuators



A	B	C	D	E	F
10.25" [260]	5.00" [127]	16.73" [425]	14.00" [356]	2.78" [71]	

### Application Notes

\*\*Consult pages 93-119 of the Retrofit Technical Documentation and/or SelectPro for close-off pressures and a cross reference of each valve.

# How to Select a Globe Valve Retrofit Solution

Follow the four steps listed below when ordering a globe valve retrofit kit for either UGLK or GVL series linkages.

**Example:** Siemens 658 series, 1¼” valve, needing **200 psi** close-off pressure and **Fail-Safe** actuation.

- Based on the **Valve Number, Configuration and Size**, select the proper linkage or linkages for your valve.  
Some valves will have more than one linkage offered, use the actuator or combination pages to determine the appropriate linkage for a given application. In this example there is a **UGLK1214**, **UGLK1350** and a **UGVL** series linkage available.
- Use the selection guide and your close-off pressure requirement to select the correct actuator series for your application. Looking at the **UGLK1350** there are no fail-safe actuators that will achieve 200 psi close-off for 1¼” valve. Looking at the **UGLK1214** or **UGVL**, the **AF** or **SVK** Series actuator will provide over **200 psi close-off** for the 1¼” valve.
- Use the actuator listings to make your final actuator selection.

- HOW TO ORDER:
 

<b>Option One:</b>	
Item 1	1pc UGLK1214
Item 2	1pc AFB24-MFT

<b>Option Two:</b>	
Item 1	1pc UGVL + SVKX24-MFT



**1** Select linkage solution based on the **Valve Number, Configuration, and Size**; select the proper **Linkage Solution** for your valve.

## Siemens\Landis\Powers 658 Series Valves Linkage/Actuator Selection Guide

Valve Body Model	Valve Configuration	Size	Fail-safe	Close-Off psi	Belimo Actuator Series	Belimo Linkage
658 Series	2-way	1¼”	No	78	LM	UGLK1350
				156	NM	UGLK1350
				236	SV	UGVL
			Yes	250	AM	UGLK1214
				61	LF	UGLK1350
				156	NF	UGLK1214
			236	SVK	UGVL	
			250	AF	UGLK1214	

Example: **Siemens Series #658, 2-Way, 1¼”** valve to be retrofitted.

Choose correct kit **UGLK1214** or **UGVL**.

- Verify close-off is suitable for application. Looking at the **UGLK** or **UGVL**, the **AF** and **SVK** Series actuator will provide **200 psi close-off** for the 1¼” valve.

### BASIC PRODUCTS

Model	Control Input	Feedback	Power Supply	Running Time(s)		VA Rating	Auxiliary Switch
				M	⊙		
AFB24	On/Off	-	24 VAC/DC	<75 seconds	20 secs	7.5	-
AFB24-S	On/Off	-	24 VAC/DC	<75 seconds	20 secs	7.5	Built-In
AFBUP	On/Off	-	24-240 VAC	<75 seconds	20 secs	8.5	-
AFBUP-S	On/Off	-	24-240 VAC	<75 seconds	20 secs	8.5	Built-In
AFB24-SR	2-10 VDC (4-20mA)	2-10 VDC	24 VAC/DC	95 seconds	<20 secs	8.5	-
AFB24-SR-S	2-10 VDC (4-20mA)	2-10 VDC	24 VAC/DC	95 seconds	<20 secs	8.5	Built-In
AFB24-PC	0-10 V Phasecut	2-10 VDC	24 VAC/DC	150 seconds	<20 secs	10	-
AFB24-MFT	2-10 VDC (4-20mA)	2-10 VDC	24 VAC/DC	150 seconds	<20 secs	10	-
AFB24-MFT-S	2-10 VDC (4-20mA)	2-10 VDC	24 VAC/DC	150 seconds	<20 secs	10	Built-In
AFB24-MFT95	0 to 135	2-10 VDC	24 VAC/DC	150 seconds	<20 secs	10	-

- Select actuator based on needed control type. Decide between **AFB24**, **AFB24-MFT**

or **SVKX24-3**, **SVKX24-MFT**.

- Complete Ordering Example  
Option One:  
Item 1: **UGLK1214**  
Item 2: **AFB24-MFT**

- Complete Ordering Example  
Option Two:  
Item 1: **UGVL + SVKX24-MFT**

ACTUATOR PART #	LVKX24-3	LVKB24-SR	LVKX24-MFT	SVKX24-3	SVKB24-SR	SVKX24-MFT
Control type	On/Off, Floating Point	Proportional	Proportional/MFT	On/Off, Floating Point	Proportional	Proportional/MFT
Input signal / Feedback	-	2-10 VDC	Variable	-	2-10 VDC	Variable
Running time	Motor 150 seconds	150 seconds	Variable	150 seconds	150 seconds	Variable
Actuator travel	Fail-Safe 35 seconds	35 seconds	35 seconds	35 seconds	35 seconds	35 seconds
Actuator noise level	24mm	24mm	24mm	24mm	24mm	24mm
	<45 dB(A)	<45 dB(A)	<45 dB(A)	<45 dB(A)	<45 dB(A)	<45 dB(A)
GVL LINKAGES						
UGVL	Universal Adjustable for 1/2” to 2”	\$	\$	\$	\$	\$
SGVL	Schnieder VB7... VB9...	\$	\$	\$	\$	\$



### ROTARY ACTUATORS

SERIES	MODEL	Spring Return	Electronic Fail-Safe	Tandem Mounting Available	Control Input	Feedback Position	Power Supply	Standard Running Time
LF Series*	LF24 US	•			On/Off	-	24 VAC/DC	Consult Specifications
	LF24-MFT US	•			Variable with MFT	Variable VDC	24 VAC/DC	
NF Series*	NFBUP-X1	•			On/Off	-	24-240 VAC	
	NFX24-MFT	•			(24 VAC/DC) Variable with MFT	Variable VDC	24 VAC/DC	
AF Series*	AFBUP-X1	•		•	On/Off	-	24-240 VAC	
	AFX24-MFT-X1	•		•	Variable with MFT	Variable VDC	24 VAC/DC	
LM Series*	LMB24-3-X1				Floating Point, On/Off	-	24 VAC/DC	
	LMX24-MFT-X1				Variable with MFT	Variable VDC	24 VAC/DC	
NM Series*	NMB24-3-X1				Floating Point, On/Off	-	24 VAC/DC	
	NMX24-MFT-X1				Variable with MFT	Variable VDC	24 VAC/DC	
AM Series*	AMB24-3-X1				Floating Point, On/Off	-	24 VAC/DC	
	AMX24-MFT-X1				Variable with MFT	Variable VDC	24 VAC/DC	
GM Series*	GMB24-3-X1			•	Floating Point, On/Off	-	24 VAC/DC	
	GMX24-MFT-X1			•	Variable with MFT	Variable VDC	24 VAC/DC	
GK Series*	GKB24-3-X1		•		Floating Point, On/Off	-	24 VAC/DC	
	GKX24-MFT-X1		•	•	Variable with MFT	Variable VDC	24 VAC/DC	

\*Please consult the Damper section of the Product Guide and Price List for a full list of product offerings. Standard run times should be considered in the selection. All air side products are applicable for retrofit kits. Select "X1" actuators come with a handle.

### LINEAR ACTUATORS\*\*

SERIES	MODEL	Fail-Safe	Control Input	Feedback Position	Power Supply	Standard Running Time*	Force
LV Series	LVB24-3	No	Floating Pt., On/Off	N/A	24 VAC/DC	90 seconds	112 lbf
	L VX120-3	No	Floating Pt., On/Off	N/A	120-240 VAC	90 seconds	112 lbf
	LVBSR-SR	No	2-10 VDC	2-10 VDC	24 VAC/DC	90 seconds	112 lbf
	L VX24-MFT	No	Variable with MFT	Variable VDC	24 VAC/DC	90 seconds	112 lbf
LVK Series	LVKX24-3	Yes	Floating Pt., On/Off	N/A	24 VAC	90 seconds	112 lbf
	LVKX120-3	Yes	Floating Pt., On/Off	N/A	120-240 VAC	90 seconds	112 lbf
	LVKBSR-SR	Yes	2-10 VDC	2-10 VDC	24 VAC/DC	90 seconds	112 lbf
	LVKX24-MFT	Yes	Variable with MFT	Variable VDC	24 VAC/DC	90 seconds	112 lbf
SV Series	SVX24-3	No	Floating Pt., On/Off	N/A	24 VAC/DC	90 seconds	337 lbf
	SVX120-3	No	Floating Pt., On/Off	N/A	120-240 VAC	90 seconds	337 lbf
	SVBSR-SR	No	2-10 VDC	2-10 VDC	24 VAC/DC	90 seconds	337 lbf
	SVX24-MFT	No	Variable with MFT	Variable VDC	24 VAC/DC	90 seconds	337 lbf
SVK Series	SVKX24-3	Yes	Floating Pt., On/Off	N/A	24 VAC	90 seconds	337 lbf
	SVKX120-3	Yes	Floating Pt., On/Off	N/A	120-240 VAC	90 seconds	337 lbf
	SVKBSR-SR	Yes	2-10 VDC	2-10 VDC	24 VAC/DC	90 seconds	337 lbf
	SVKX24-MFT	Yes	Variable with MFT	Variable VDC	24 VAC/DC	90 seconds	337 lbf
AV Series	AVKB24-3	Yes	Floating Pt., On/Off	N/A	24 VAC	90 seconds	450 lbf
	AVKB120-3	Yes	Floating Pt., On/Off	N/A	120-240 VAC	90 seconds	450 lbf
	AVKB24-MFT	Yes	Variable with MFT	Variable VDC	24 VAC/DC	90 seconds	450 lbf
EV Series	EVB24-3	No	Floating Pt., On/Off	N/A	24 VAC/DC	90 seconds	562 lbf
	EVB120-3	No	Floating Pt., On/Off	N/A	120-240 VAC	90 seconds	562 lbf
	EVB24-MFT	No	Variable with MFT	Variable VDC	24 VAC/DC	90 seconds	562 lbf
RV Series	RVB24-3	No	Floating Pt., On/Off	N/A	24 VAC/DC	90 seconds	562 lbf
	RVB24-MFT	No	Variable with MFT	Variable VDC	24 VAC/DC	90 seconds	562 lbf

\* Other speeds available on request. \*\* Sold as an assembly with linkage.

### MULTI-FUNCTION TECHNOLOGY

	PROGRAMMING CODE	Control Input	Running Time	Built-in Feedback
ROTARY ACTUATOR	P-10001 A01	2-10 VDC	150 seconds	2-10 VDC
	P-10002 A02	0.5-10 VDC	150 seconds	0.5-10 VDC
	P-10028 A28	0.5-10 VDC	150 seconds	0.5-10 VDC
	P-10063 A63	0.5-4.5 VDC	150 seconds	0.5-4.5 VDC
	P-10064 A64	5.5-10 VDC	150 seconds	5.5-10 VDC
	P-20002 W02	0.02-5.00 seconds PWM	150 seconds	2-10 VDC
	P-20003 W03	0.10-25.5 seconds PWM	150 seconds	2-10 VDC
	P-30001 F01	Floating Point	150 seconds	2-10 VDC
	P-40002 J02	On/Off	150 seconds	2-10 VDC
LINEAR ACTUATOR	G43	2-10 VDC	90 seconds	2-10 VDC
	G53	0.5-10 VDC	90 seconds	0.5-10 VDC
	W3M	0.02-5.00 seconds PWM	90 seconds	2-10 VDC
	G13	Floating Point	90 seconds	2-10 VDC
	G03	On/Off	90 seconds	2-10 VDC



Valve Body Model	Size	Fail-Safe	Close-Off psi	Belimo Actuator Series	Belimo Linkage
V5011 Series	½"	Yes	236	LVK	UGVL
		No		LV	UGVL
	¾"	Yes	211	LVK	UGVL
		No		LV	UGVL
	1"	Yes	93	LVK	UGVL
		No		LV	UGVL
		Yes	236	SV	UGVL
				SVK	UGVL
	1¼"	No	236	SV	UGVL
		Yes		SVK	UGVL
	1½"	No	160	SV	UGVL
		Yes		SVK	UGVL
	2"	No	85	SV	UGVL
		Yes		SVK	UGVL
	2½"	No	52	SV	UGVL
		Yes		SVK	UGVL
	3"	No	40	SV	UGVL
		Yes		SVK	UGVL
V5011N Series	½"	Yes	236	LVK	UGVL
		Yes		LF	UGLK1806
		No		LV	UGVL
	¾"	Yes	110	LF	UGLK1806
		Yes	211	LVK	UGVL
		No		LV	UGVL
	1"	Yes	65	LF	UGLK1806
		Yes	93	LVK	UGVL
		No		LV	UGVL
		Yes	236	AF	UGLK1800
				SV	UGVL
				SVK	UGVL
	1¼"	Yes	40	LF	UGLK1806
		Yes	221	AF	UGLK1800
		No	236	SV	UGVL
		Yes		SVK	UGVL
	1½"	Yes	26	LF	UGLK1806
		Yes	153	AF	UGLK1800
		No	160	SV	UGVL
		Yes		SVK	UGVL
	2"	Yes	14	LF	UGLK1806
		No	85	SV	UGVL
		Yes		SVK	UGVL
		Yes	86	AF	UGLK1800
Yes		173	GK	UGLK1800	
V5013 Series	½"	Yes	236	LVK	UGVL
		No		LV	UGVL
	¾"	Yes	211	LVK	UGVL
		No		LV	UGVL
	1"	Yes	93	LVK	UGVL
		No		LV	UGVL
		Yes	236	SV	UGVL
				SVK	UGVL
	1¼"	No	236	SV	UGVL
		Yes		SVK	UGVL
	1½"	No	160	SV	UGVL
		Yes		SVK	UGVL
	2"	No	85	SV	UGVL
		Yes		SVK	UGVL
	2½"	No	52	SV	UGVL
		Yes		SVK	UGVL
	3"	No	40	SV	UGVL
		Yes		SVK	UGVL
V5013N Series	½"	Yes	236	LVK	UGVL
		Yes		LF	UGLK1806
		No		LV	UGVL
	¾"	Yes	110	LF	UGLK1806
	Yes	211	LVK	UGVL	

All close-off pressures listed are approximate and based on valve condition and application.





Valve Body Model	Size	Fail-Safe	Close-Off psi	Belimo Actuator Series	Belimo Linkage
V5013N Series	¾"	No	211	LV	UGVL
		Yes	65	LF	UGLK1806
	1"	Yes	93	LVK	UGVL
		No		LV	UGVL
		Yes	236	AF	UGLK1800
		No		SV	UGVL
		Yes		SVK	UGVL
	1¼"	Yes	40	LF	UGLK1806
		Yes	221	AF	UGLK1800
		No	236	SV	UGVL
		Yes		SVK	UGVL
	1½"	Yes	26	LF	UGLK1806
		Yes	153	AF	UGLK1800
		No	160	SV	UGVL
		Yes		SVK	UGVL
	2"	Yes	14	LF	UGLK1806
		No	85	SV	UGVL
		Yes		SVK	UGVL
		Yes	86	AF	UGLK1800
		Yes	173	GK	UGLK1800
V5011 (F1063, F1154, H1028, G1194)	1"	Yes	65	LF	UGLK1806
Yes		236	AF	UGLK1800	
V5011 (F1089, F1178, G1228)	1½"	Yes	26	LF	UGLK1806
Yes		153	AF	UGLK1800	
V5011 (F1097, F1188, G1103)	2"	Yes	14	LF	UGLK1800
		Yes	40	NF	UGLK1806
		Yes	86	AF	UGLK1800
		Yes	173	GK	UGLK1800
V5011 (H1028, G1194, J1023)	¾"	Yes	110	LF	UGLK1806
		Yes	236	NF	UGLK1800
V5011 (H1044, G1210, J1049)	1¼"	Yes	40	LF	UGLK1806
		Yes	221	AF	UGLK1800
V5011F (1014, 1022, 1030, 1048, 1121, 1139)	½"	Yes	236	LF	UGLK1806
		Yes		NF	UGLK1800
V5011F (1055, 1147)	¾"	Yes	110	LF	UGLK1806
		Yes	236	NF	UGLK1800
V5011F (1071, 1162)	1¼"	Yes	40	LF	UGLK1806
		Yes	221	AF	UGLK1800
V5011G (1137, 1145, 1152, 1160, 1178, 1186)	½"	Yes	236	LF	UGLK1806
		Yes		NF	UGLK1800
V5011H (1002, 1010)	½"	Yes	236	LF	UGLK1806
		Yes		NF	UGLK1800
V5011J (1012, 1079)	½"	Yes	236	LF	UGLK1806
		Yes		NF	UGLK1800
V5013F (1004, 1012, 1079)	½"	Yes	236	LF	UGLK1806
		Yes		NF	UGLK1800
V5013F (1020, 1087)	¾"	Yes	110	LF	UGLK1806
		Yes	236	NF	UGLK1800
V5013F (1038, 1095)	1"	Yes	65	LF	UGLK1806
		Yes	236	AF	UGLK1800
V5013F (1046, 1103)	1¼"	Yes	40	LF	UGLK1806
		Yes	221	AF	UGLK1800
V5013F (1053, 1111)	1½"	Yes	26	LF	UGLK1806
		Yes	153	AF	UGLK1800
V5013F (1061, 1129)	2"	Yes	14	LF	UGLK1800
		Yes	40	NF	UGLK1806
		Yes	86	AF	UGLK1800
		Yes	173	GK	UGLK1800
V5045	½"	No	236	AM	UGLK1804
		Yes		NF	UGLK1804
	¾"	Yes	236	NF	UGLK1804
		1"	No	236	AM
	Yes		NF		UGLK1804
	1¼"	No	236	AM	UGLK1804
		Yes	160	NF	UGLK1804
	1½"	Yes	211	AF	UGLK1804

Tech.Doc - 07/14 - Subject to change. © Belimo Aircontrols (USA), Inc.

All close-off pressures listed are approximate and based on valve condition and application.



Valve Body Model	Size	Fail-Safe	Close-Off psi	Belimo Actuator Series	Belimo Linkage
V5045	1½"	No	211	AM	UGLK1804
	2"	Yes	120	AF	UGLK1804
No		AM		UGLK1804	
V3350 (A2009, A2017, B2007, C2013, D2003)	2½"	No	55	SV	UGVL
		Yes		SVK	UGVL
		Yes	110	2*AF	UGLK1870
		Yes	211	2*GK	UGLK1870
		Yes	77	2*AF	UGLK1870
V3350 (A3007, A3015, B3005, C3011, D3001)	3"	Yes	38	AF	UGLK1800
		Yes	136	2*GK	UGLK1870
		No	38	SV	UGVL
		Yes		SVK	UGVL
		Yes	10	AF	FGVL
V3350 (A4005, A4013, B4003, C4019, D4009)	4"	Yes	22	2*AF	UGLK1872
		Yes		AVK	FGVL
		No	EV	UGLK1802	
		Yes	40	2*GK	UGLK1872
		No	RV	FGVL	
		Yes	10	AF	UGLK1802
V3350 (A5002, A5010, B5000, C5016, D5006)	5"	Yes	14	2*AF	UGLK1872
		No		EV	FGVL
		Yes	GK	UGLK1802	
		Yes	22	2*GK	UGLK1872
		No	RV	FGVL	
V3350 (A6000, A6008, A6018, C6014, D6004)	6"	Yes	10	2*AF	UGLK1872
		Yes	GK	UGLK1802	
		Yes	22	2*GK	UGLK1872
		No	RV	FGVL	
V3351 (A4004, C4000, C4001)	4"	Yes	10	AF	UGLK1802
		Yes	22	2*AF	UGLK1872
		Yes		AVK	FGVL
		No	EV	FGVL	
		Yes	40	2*GK	UGLK1872
		No	RV	FGVL	
V3351 (A2008, C2005, D2002)	2½"	No	55	SV	UGVL
		Yes		SVK	UGVL
		Yes	110	2*AF	UGLK1870
		Yes	211	2*GK	UGLK1870
V3351 (A3006, C3002, C3003)	3"	Yes	77	2*AF	UGLK1870
		Yes	38	AF	UGLK1800
		Yes	136	2*GK	UGLK1870
		No	38	SV	UGVL
		Yes		SVK	UGVL
V3351 (A5001, C5008, D5005)	5"	Yes	10	AF	UGLK1802
		Yes	14	2*AF	UGLK1872
		No		EV	FGVL
		Yes	GK	UGLK1802	
		Yes	22	2*GK	UGLK1872
		No	RV	FGVL	
V3351 (A6009, C6005, C6006)	6"	Yes	10	2*AF	UGLK1872
		Yes	GK	UGLK1802	
		Yes	22	2*GK	UGLK1872
		No	RV	FGVL	
V3360E2008, V3361E2007	2½"	No	55	SV	UGVL
		Yes		SVK	UGVL
		Yes	52	AF	UGLK1800
		Yes	110	2*AF	UGLK1870
		Yes	211	2*GK	UGLK1870
V3360E3006, V3361E3005	3"	Yes	77	2*AF	UGLK1870
		Yes	38	AF	UGLK1800
		Yes	136	2*GK	UGLK1870
		No	38	SV	UGVL
		Yes		SVK	UGVL
V3360E4004, V3361E4003	4"	Yes	10	AF	UGLK1802
		Yes	22	2*AF	UGLK1872
		Yes	AVK	FGVL	

All close-off pressures listed are approximate and based on valve condition and application.



Valve Body Model	Size	Fail-Safe	Close-Off psi	Belimo Actuator Series	Belimo Linkage
V3360E4004, V3361E4003	4"	No	22	EV	FGVL
		Yes	40	2*GK	UGLK1872
V3360E5001, V3361E5000	5"	No	10	RV	FGVL
		Yes		AF	UGLK1802
		Yes	14	2*AF	UGLK1872
		No		EV	FGVL
		Yes	22	GK	UGLK1802
		Yes		2*GK	UGLK1872
No	RV	FGVL			
V3360E6009, V3361E6008	6"	Yes	10	2*AF	UGLK1872
		Yes		GK	UGLK1802
		Yes	22	2*GK	UGLK1872
		No		RV	FGVL
V3450 (A2008, A2016, B2006, C2012, D2002)	2½"	No	55	SV	UGVL
		Yes		SVK	UGVL
		Yes	52	AF	UGLK1800
		Yes	110	2*AF	UGLK1870
		Yes	211	2*GK	UGLK1870
		Yes	77	2*AF	UGLK1870
Yes	38	AF		UGLK1800	
V3450 (A3006, A3014, B3004, C3010, D3000)	3"	Yes	136	2*GK	UGLK1870
		No		SV	UGVL
		Yes	38	SVK	UGVL
		Yes		10	AF
V3450 (A4004, A4012, B4002, C4018, D4008)	4"	Yes	22	2*AF	UGLK1872
		Yes		AVK	FGVL
		No	40	EV	FGVL
		Yes		2*GK	UGLK1872
		No	RV	FGVL	
		Yes	10	AF	UGLK1802
Yes	2*AF	UGLK1872			
V3450 (A5001, A5019, B5009, C5015, D5005)	5"	No	14	EV	FGVL
		Yes		GK	UGLK1802
		Yes	22	2*GK	UGLK1872
		No		RV	FGVL
		Yes	10	2*AF	UGLK1872
		Yes		GK	UGLK1802
V3450 (A6009, A6007, A6017, C6013, D6003)	6"	Yes	22	2*GK	UGLK1872
		No		RV	FGVL
		Yes	52	AF	UGLK1800
		Yes		110	2*AF
V3451 (A2007, C2003, C2004)	2½"	Yes	211	2*GK	UGLK1870
		No		SV	UGVL
		Yes	77	SVK	UGVL
		Yes		77	2*AF
		Yes	38	AF	UGLK1800
Yes	136	2*GK		UGLK1870	
V3451 (A3005, C3001, C3002)	3"	No	38	SV	UGVL
		Yes		SVK	UGVL
		Yes	10	AF	UGLK1802
		Yes		2*AF	UGLK1872
		Yes	22	AVK	FGVL
No	EV	FGVL			
V3451 (A4003, C4000, C4009)	4"	Yes	40	2*GK	UGLK1872
		No		RV	FGVL
		Yes	10	AF	UGLK1802
		Yes		2*AF	UGLK1872
		Yes	14	EV	FGVL
		Yes		GK	UGLK1802
V3451 (A5000, C5006, C5007)	5"	Yes	22	2*GK	UGLK1872
		No		RV	FGVL
		Yes	10	2*AF	UGLK1872
		Yes		GK	UGLK1802
		Yes	22	2*GK	UGLK1872
No	RV	FGVL			
V3451 (A6008, C6004, C6005)	6"	Yes	10	2*AF	UGLK1872
		Yes		GK	UGLK1802
		Yes	22	2*GK	UGLK1872
		No		RV	FGVL
V3460E2007, V3461E2006	2½"	No	55	SV	UGVL

Tech.Doc - 07/14 - Subject to change. © Belimo Aircontrols (USA), Inc.

All close-off pressures listed are approximate and based on valve condition and application.



Valve Body Model	Size	Fail-Safe	Close-Off psi	Belimo Actuator Series	Belimo Linkage
V3460E2007, V3461E2006	2½"	Yes	55	SVK	UGVL
		Yes	52	AF	UGLK1800
		Yes	110	2*AF	UGLK1870
		Yes	211	2*GK	UGLK1870
V3460E3005, V3461E3004	3"	Yes	77	2*AF	UGLK1870
		Yes	38	AF	UGLK1800
		Yes	136	2*GK	UGLK1870
		No	38	SV	UGVL
V3460E4003, V3461E4002	4"	Yes	10	AF	UGLK1802
		Yes	22	2*AF	UGLK1872
		Yes		AVK	FGVL
		No	EV	FGVL	
		Yes	40	2*GK	UGLK1872
V3460E5000, V3461E5009	5"	No	14	RV	FGVL
		Yes		AF	UGLK1802
		Yes	2*AF	UGLK1872	
		Yes	22	2*GK	UGLK1872
		No	RV	FGVL	
		Yes	10	2*AF	UGLK1872
V3460E6008, V3461E6007	6"	Yes	10	GK	UGLK1802
		Yes		2*GK	UGLK1872
		Yes	22	RV	FGVL
		No	RV	FGVL	
V5011 (A1734, F1105, F1196, G1111)	2½"	Yes	211	2*GK	UGLK1870
V5011 (A1767, F1113, F1204, G1129)	3"	Yes	38	AF	UGLK1800
		Yes	136	2*GK	UGLK1870
V5011 (A1858, B1013)	4"	Yes	10	AF	UGLK1802
		Yes	22	AVK	FGVL
		No		EV	FGVL
		Yes	40	2*GK	UGLK1872
		No	RV	FGVL	
V5011 (A1882, B1047)	5"	Yes	10	AF	UGLK1802
		Yes	14	2*AF	UGLK1872
		Yes		GK	UGLK1802
		Yes	22	2*GK	UGLK1872
		No	RV	FGVL	
V5011 (A1916, B1078)	6"	Yes	10	2*AF	UGLK1872
		Yes		GK	UGLK1802
		Yes	22	2*GK	UGLK1872
		No	RV	FGVL	
V5013 (B1003, C1001)	2½"	Yes	52	AF	UGLK1800
V5013 (B1011, C1019)	3"	Yes	211	2*GK	UGLK1870
		Yes	77	GK	UGLK1800
V5013 (B1029, C1027)	4"	Yes	136	2*GK	UGLK1870
		Yes		AVK	FGVL
		No	22	EV	FGVL
		Yes	GK	UGLK1802	
		Yes	40	2*GK	UGLK1872
V5013 (B1037, C1035)	5"	No	14	RV	FGVL
		Yes		AF	UGLK1802
		Yes	2*AF	UGLK1872	
		Yes	EV	FGVL	
		Yes	GK	UGLK1802	
		Yes	22	2*GK	UGLK1872
V5013 (B1045, C1043)	6"	No	10	RV	FGVL
		Yes		2*AF	UGLK1872
		Yes	GK	UGLK1802	
		Yes	22	2*GK	UGLK1872
VP525 Series	½"	No	110	CM	UGLK1808
		Yes		TF	UGLK1808
	¾"	No	55	CM	UGLK1808
Yes		TF		UGLK1808	
VP526 Series	½"	No	50	CM	UGLK1808

All close-off pressures listed are approximate and based on valve condition and application.



# Honeywell

VP52..., VP531, VGF Series Valves

Linkage/Actuator Selection Guide

# Johnson Controls

V52... Series Valves

Linkage/Actuator Selection Guide

Valve Body Model	Size	Fail-Safe	Close-Off psi	Belimo Actuator Series	Belimo Linkage	
VP526 Series	½"	Yes	50	TF	UGLK1808	
	5/8"	No	58	CM	UGLK1808	
Yes		TF		UGLK1808		
VP527 Series	½"	No	45	CM	UGLK1808	
		Yes		TF	UGLK1808	
VP531 Series	½"	No	70	CM	UGLK1808	
		Yes		TF	UGLK1808	
	¾"	No	70	CM	UGLK1808	
		Yes		TF	UGLK1808	
	5/8"	No	70	CM	UGLK1808	
		Yes		TF	UGLK1808	
	7/8"	No	70	CM	UGLK1808	
		Yes		TF	UGLK1808	
VGF2.. Series	2½"	Yes	52	AVK	FGVL	
		No		EV	FGVL	
	3"	Yes	40	AVK	FGVL	
		No		EV	FGVL	
	4"	Yes	22	AVK	FGVL	
		No		EV	FGVL	
	5"	Yes	14	AVK	FGVL	
		No		RV	FGVL	
	6"	Yes	10	AVK	FGVL	
		No		RV	FGVL	
	6"	Yes	40	RV	FGVL	
		No		RV	FGVL	
<b>JOHNSON CONTROLS</b>						
V-5252-(12, 13, 35)	3"	Yes	52	2*AF	UGLK1476	
		Yes		AVK	FGVL	
		No		EV	FGVL	
		Yes		26	AF	UGLK1410
		Yes		93	2*GK	UGLK1476
V-5252-(14, 36)	4"	No	14	RV	FGVL	
		Yes		14	AF	UGLK1410
		Yes		52	2*GK	UGLK1476
		No		RV	FGVL	
		Yes		26	2*AF	UGLK1476
		Yes		26	AVK	FGVL
V-5252-17	5"	No	10	EV	FGVL	
		Yes		14	AF	UGLK1414
		Yes		14	2*AF	UGLK1480
		Yes		22	GK	UGLK1414
		No		22	2*GK	UGLK1480
V-5252-18	5"	Yes	10	RV	FGVL	
		Yes		10	AF	UGLK1414
		No		14	2*AF	UGLK1480
		Yes		14	EV	FGVL
		Yes		22	GK	UGLK1414
V-5252-19	6"	Yes	22	2*GK	UGLK1480	
		No		RV	FGVL	
		Yes		10	2*AF	UGLK1480
		Yes		10	EV	FGVL
		No		22	GK	UGLK1414

Tech.Doc - 07/14 - Subject to change. © Belimo Aircontrols (USA), Inc.

All close-off pressures listed are approximate and based on valve condition and application.

### UGLK Collars

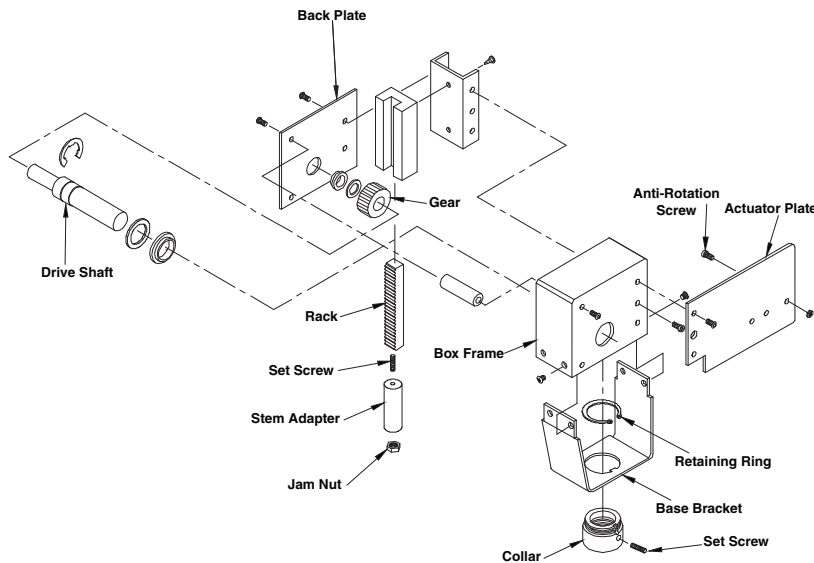
Part Number	Inside Diameter	Description	Most Commonly Used Valve Style				
			Style 1	Style 2	Style 3	Style 4	Style 5
UGLK-COL-1005	1.000"	3 setscrews, for frame type		•			
UGLK-COL-1063	1.063"	3 setscrews, for frame type		•			
UGLK-COL-1100	1.100"	3 setscrews, for frame type, counterbored top				•	
UGLK-COL-1255	1.250"	3 setscrews, for frame type		•			
UGLK-COL-1315	1.315"	3 setscrews, for frame type, can be used with VB7 with shim			•		
UGLK-COL-1375	1.375"	3 setscrews, for frame type		•			
UGLK-COL-BC10	1.250" - 16 Thd.	Fits Siebe VB7/VB9. Use on frame type only	•				
UGLK-COL-HY02	1.370"	1 setscrew, for frame type					•
UGLK-COL-LG02	1.740"	1 setscrew, for frame type			•		
UGLK-COL-LG04	1.740"	1 setscrew, for frame type			•		
UGLK-COL-JC05	1.070"	3 setscrews, for frame type		•			
UGLK-COL-JC06	1.562" - 14 Thd.	Threaded, brass		•			
UGLK-COL-JC08	0.760"	3 setscrews, for frame type, counterbored top				•	
UGLK-COL-JC15	1.070"	Ring, no setscrews		•			
UGLK-COL-0880	0.880"	3 setscrews, for frame type, counterbored top				•	
UGLK-COL-WNUT	1.375" - 20 Thd.	Replacement Warren nut. Will not go over damaged threads		•			
UGLK-COL-AD01	1.250" - 16 Thd.	Fits Siebe VB7/VB9. For VB7 frame only	•				
UGLK-COL-UNIV	Custom	3 setscrews, for frame type. Must be machined		•	•	•	•

\* Must reuse clip and set screws.

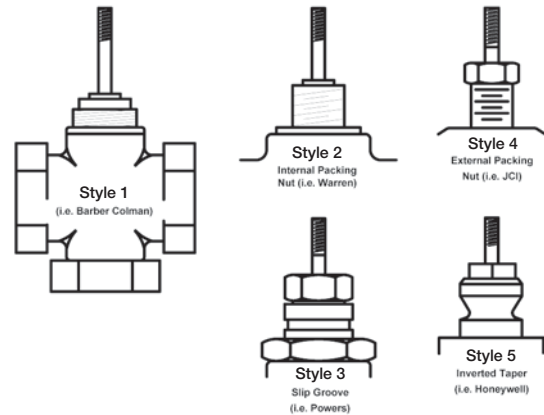
### UGLK Stem Adapters

Part Number	Inside Diameter	Description	Most Commonly Used Valve Style				
			Style 1	Style 2	Style 3	Style 4	Style 5
UGLK-STM-1800	1/4" - 28 Stem Thd.	Stem adapter for 1/4" - 28 valve stems	•	•	•	•	•
UGLK-STM-1801	3/8" - 24 Stem Thd.	Stem adapter for 3/8" - 24 valve stems	•	•	•	•	•
UGLK-STM-1802	1/2" - 20 Stem Thd.	Stem adapter for 1/2" - 20 valve stems	•			•	•
UGLK-STM-1803	7/16" - 20 Stem Thd.	Stem adapter for 7/16" - 20 valve stems					•
UGLK-STM-1501	3/8" - 24 Stem Thd.	For Warren FLG valves with UGLK		•			
UGLK-STM-1805	3/8" OD Grooved	Landis 2.5-3" -599 Series			•		
UGLK-STM-2305	1/2" OD Grooved	Landis 4-6" -599 Series			•		
UGLK-STM-UNIV	Custom	Must be machined	•	•	•	•	•

### UGLK Stem Adapters



### UGLK Collars



Tech.Doc - 07/14 - Subject to change. © Belimo Aircontrols (USA), Inc.





WEATHER SHIELDS		NON-SPRING RETURN				SPRING RETURN			ELECTRONIC FAIL-SAFE				2* GM/GK
		LV	SV	EV	RV	LF	NF	AF	GK	LVK	SVK	AVK	
	<b>ZS-SPGV-60</b> LF series on G2/G3 globe valve					•							
	<b>ZS-SPGV-10</b> Dual AF series on flanged globe valve							•					
	<b>ZS-SPGV-20</b> Single NF/AF series on G2/G3 (NF/AF) and flanged globe valve (AF)						•	•					
	<b>ZS-SPGV-40</b> GK series on flanged globe valve								•				
	<b>ZS-SPGV-50</b> GK series on flanged globe valve												•
	<b>ZS-GV-001</b> Weather shield for LV/SV (cover only)	•	•							•	•		
	<b>ZS-GV-002</b> Weather shield for EV/RV/AVK (cover only)			•	•							•	
AUXILIARY SWITCHES & POTENTIOMETERS													
	<b>S1A</b> Auxiliary switch - 1x SPDT, 3A (0.5A inductive) @ 250 VAC									•			•
	<b>S2A</b> Auxiliary switch - 2x SPDT, 3A (0.5A inductive) @ 250 VAC									•			•
	<b>S2A-GV</b> Auxiliary switch - 2x SPDT, 3A (0.5A inductive) @ 250 VAC	•	•	•	•					•	•	•	
	<b>P140A GR</b> Feedback potentiometer 140 Ω									•			•
	<b>P500A GR</b> Feedback potentiometer 500 Ω									•			•
	<b>P1000A GR</b> Feedback potentiometer 1000 Ω									•			•
	<b>P2800A GR</b> Feedback potentiometer 2800 Ω									•			•
	<b>P5000A GR</b> Feedback potentiometer 5000 Ω									•			•
	<b>P10000A GR</b> Feedback potentiometer 10000 Ω									•			•
BATTERY BACKUPS													
	<b>NSV24 US</b> Battery backup module	•	•	•	•								
	<b>NSV-BAT</b> 12VDC 1.2 AH battery (2 required)	•	•	•	•								

Note: Each NSV-24 US requires 2 NSV-BAT.

Tech.Doc - 07/14 - Subject to change. © Belimo Aircontrols (USA), Inc.